

APP CRS	Rwy Idg	3405
175°	TDZE	1489
	Apt Elev	1489

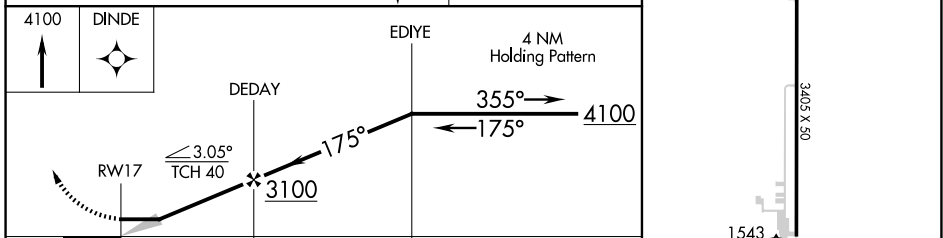
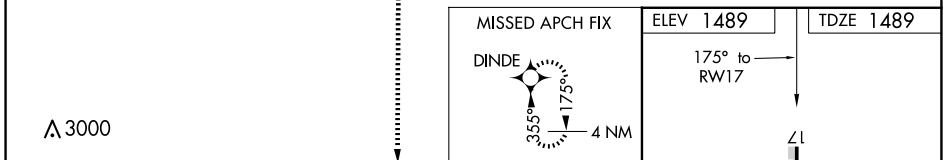
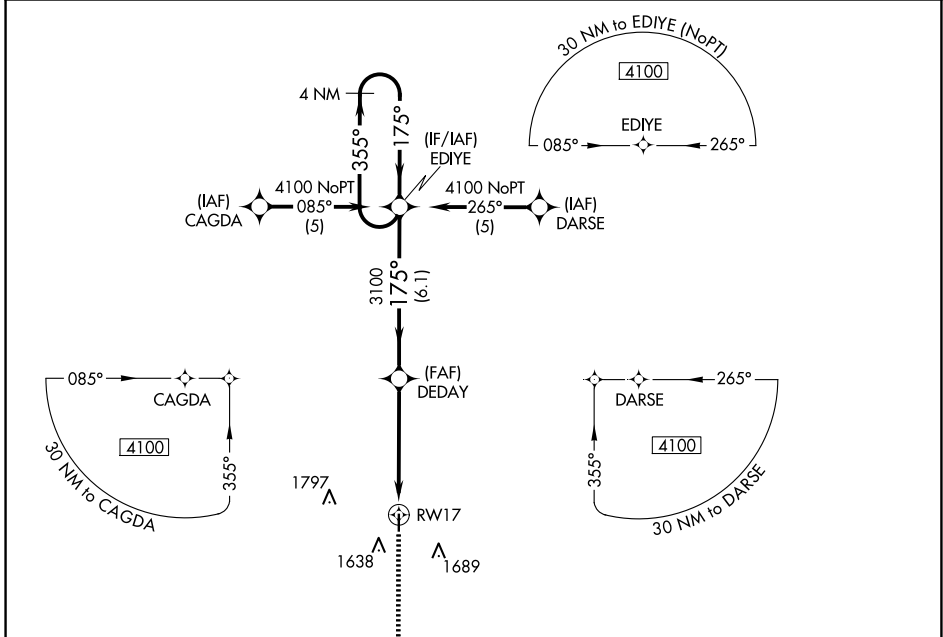
RNAV (GPS) RWY 17

MOUNDRIDGE MUNI (47K)

NA GPS or RNP-0.3 required. DME/DME RNP-0.3 NA. Use McPherson altimeter setting. Procedure NA at night.

MISSED APPROACH: Climb to 4100 direct DINDE WP and hold.

WICHITA APP CON	CTAF
125.5 306.2	122.9



CATEGORY	A	B	C	D
LNVA MDA	1940-1	451 (500-1)	NA	
CIRCLING	2020-1	531 (600-1)	NA	

LIRL Rwy 17-35

NC-2, 11 JUN 2026 to 09 JUL 2026

NC-2, 11 JUN 2026 to 09 JUL 2026