

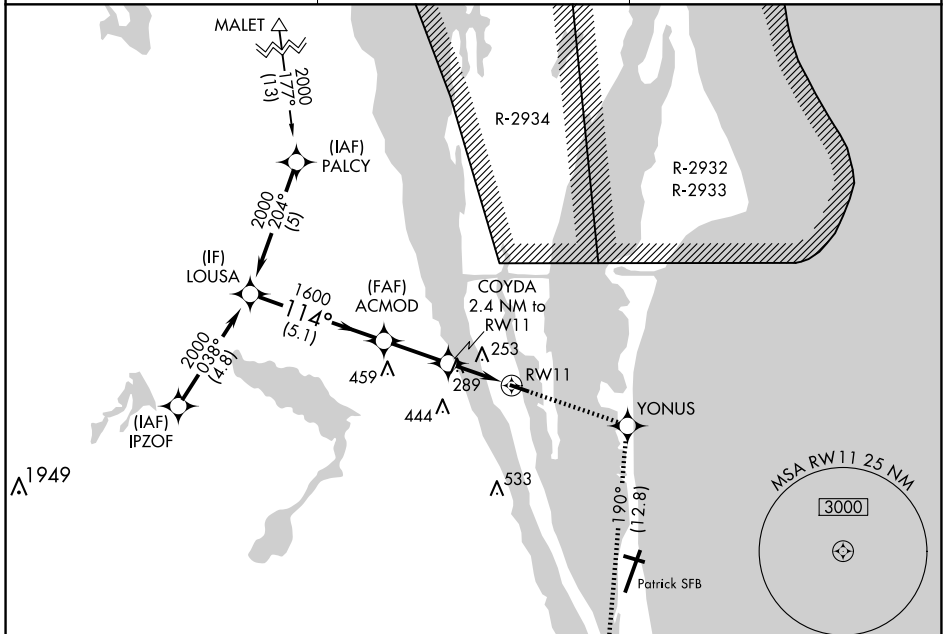
| | | | |
|--|------------------------|-----------------------------|-------------------------------------|
| WAAS CH 65899 W11A | APP CRS 114° | Rwy Idg TDZE Apt Elev | 3601 6 6 |
|--|------------------------|-----------------------------|-------------------------------------|

RNAV (GPS) RWY 11

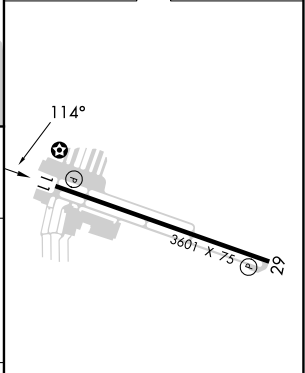
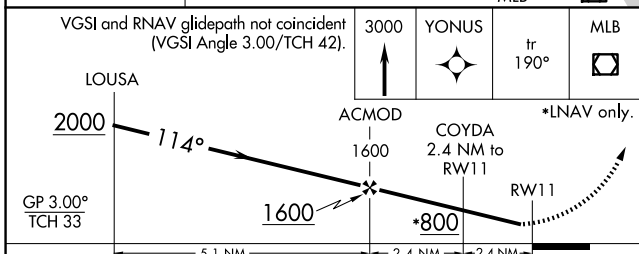
MERRITT ISLAND (COI)

RNP APCH.
 ▼ Rwy 11 helicopter visibility reduction below 1 SM NA. When local altimeter setting not received, use Melbourne altimeter setting and increase LPV DA to 329 and all MDA 40 feet, increase LPV all Cats visibility 1/8 mile. Night landing: Rwy 11 NA.
 ▲ NA MISSED APPROACH: Climb to 3000 direct YONUS and on track 190° to MLB VOR/DME and hold.

| | | |
|----------------------------|--|-----------------------------------|
| AWOS-3PT 119.025 | ORLANDO APP CON 134.95 281.425 | UNICOM 122.975 (CTAF) 0 |
|----------------------------|--|-----------------------------------|



| | |
|--------|--------|
| ELEV 6 | TDZE 6 |
|--------|--------|



| CATEGORY | A | B | C | D |
|----------|----------------------|----------------------|---|----|
| LPV DA | 291-1 | 285 (300-1) | | NA |
| LNAV MDA | 600-1 | 594 (600-1) | | NA |
| CIRCLING | 600-1 594 (600-1) | 620-1 614 (700-1) | | NA |

MIRL Rwy 11-29

SE-3, 11 JUN 2026 to 09 JUL 2026

SE-3, 11 JUN 2026 to 09 JUL 2026