

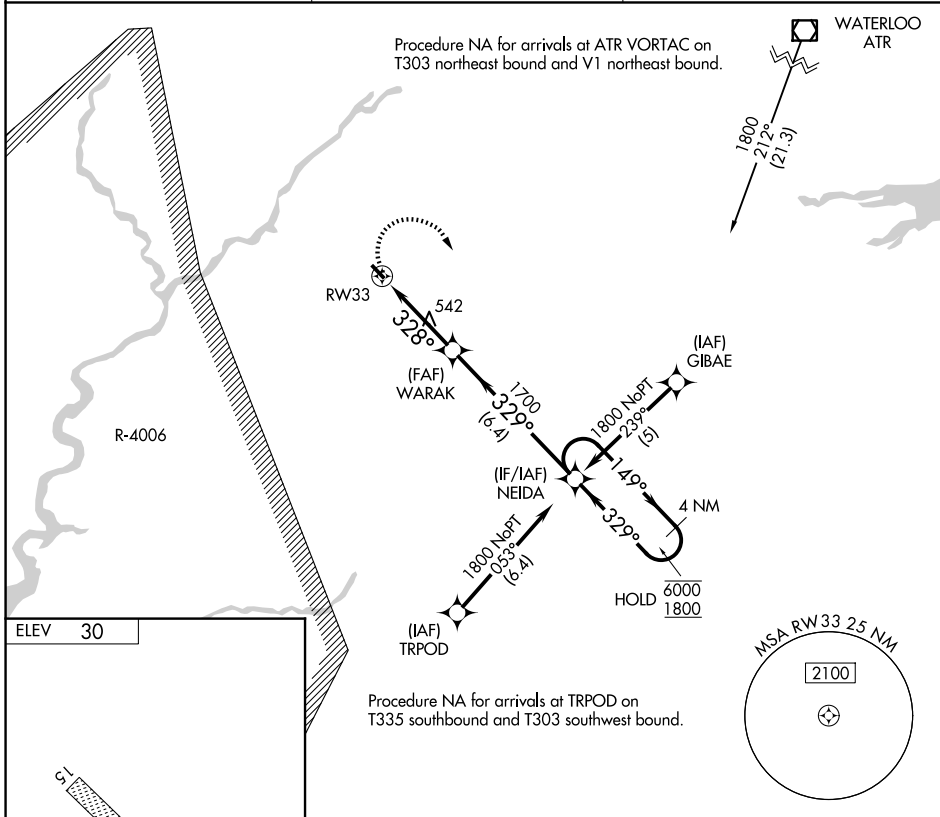
APP CRS	Rwy Ldg TDZE	N/A
328°	Apt Elev	30

RNAV (GPS)-A

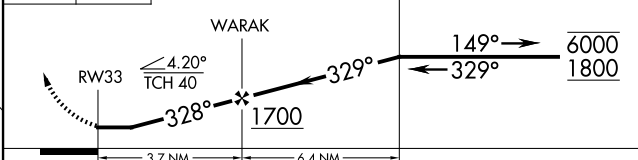
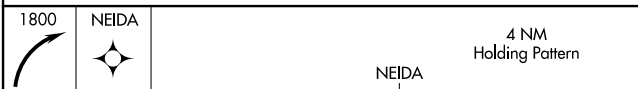
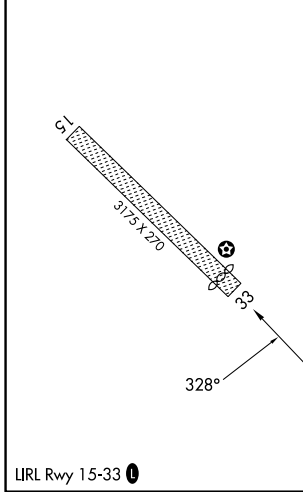
LAUREL (N06)

RNP APCH - GPS.	<p>Procedure NA at night. Use SBY altimeter setting; when not received, use GED altimeter setting and increase all MDAs 20 feet.</p>	<p>MISSED APPROACH: Climbing right turn to 1800 direct NEIDA and hold.</p>
<p>Procedure NA</p>		

SBY ASOS 118.325	PATUXENT APP CON * 127.95 314.0	CTAF 122.9 0
----------------------------	---	------------------------



ELEV	30
------	----



CATEGORY	A	B	C	D
CIRCLING	880-1¼	850 (900-1¼)	NA	