

WAAS CH 87108 W18A	APP CRS 181°	Rwy Ldg TDZE Apt Elev	5002 684 685
--	------------------------	-----------------------------	---

RNAV (GPS) RWY 18

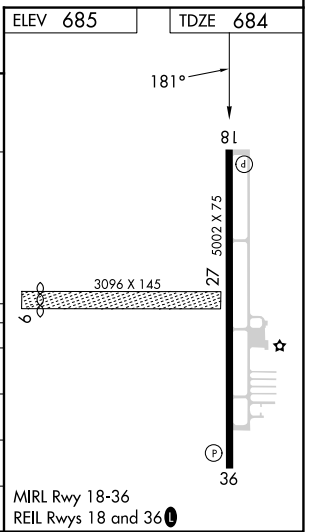
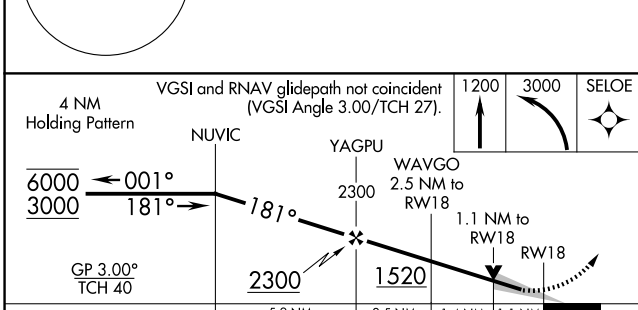
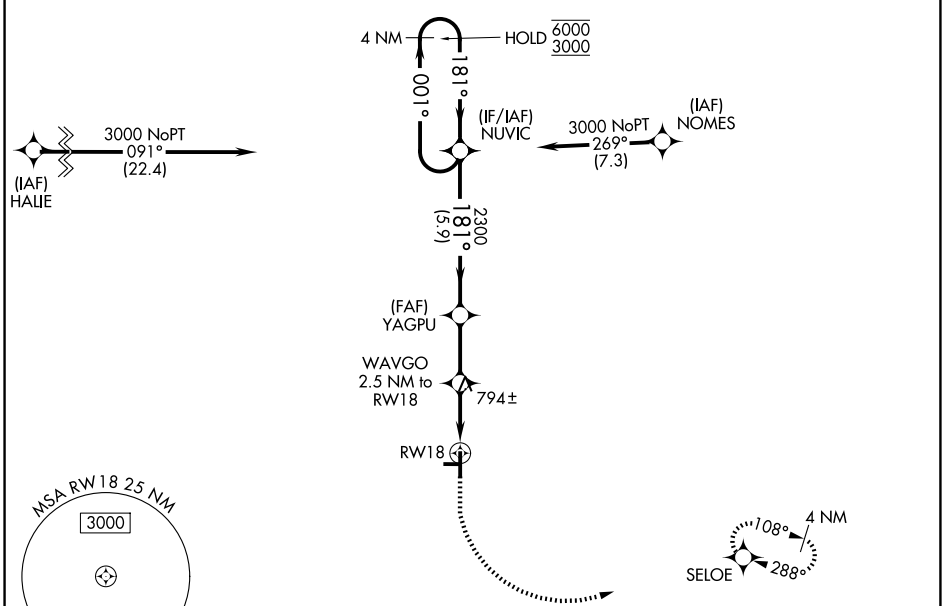
STARKE COUNTY(OXI)

RNP APCH - GPS.

⚠ Baro-VNAV and VDP NA when using SBN altimeter setting. For uncompensated Baro-VNAV systems, LNAV/VNAV NA below -16°C or above 54°C. Circling NA to Rwys 9 and 27.
⚠ When local altimeter setting not received, use SBN altimeter setting: increase LPV DA to 1010 feet; increase LNAV/VNAV DA to 1136 feet and all visibilities 3/8 SM; increase all MDAs 80 feet and LNAV visibility Cat C and D 3/8 SM, and Circling visibility Cat C and D 1/4 SM.

MISSED APPROACH:
 Climb to 1200 then climbing left turn to 3000 direct SELOE and hold.

AWOS-3P 135.775	SOUTH BEND APP CON ★ 132.05 257.8	UNICOM 122.8 (CTAF) 0
---------------------------	---	---------------------------------



CATEGORY	A	B	C	D
LPV DA		934-1	250 (300-1)	
LNAV/VNAV DA		1060-1	376 (400-1)	
LNAV MDA		1060-1	376 (400-1)	
CIRCLING	1120-1 435 (500-1)	1140-1 455 (500-1)	1380-2 695 (700-2)	1380-2 1/4 695 (700-2 1/4)

EC-2, 11 JUN 2026 to 09 JUL 2026

EC-2, 11 JUN 2026 to 09 JUL 2026