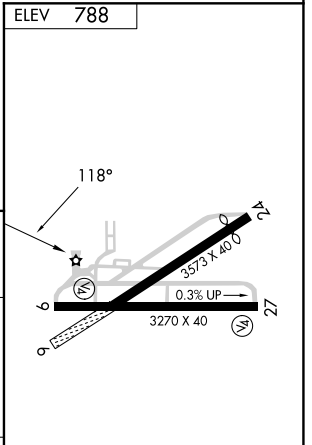
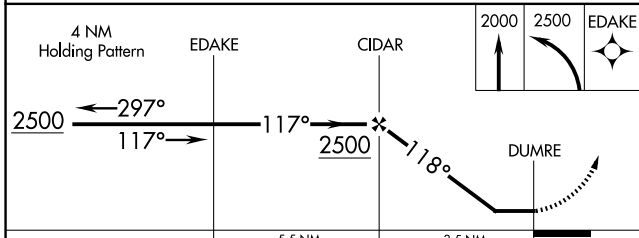
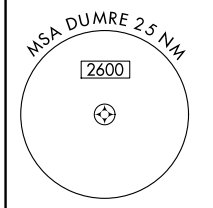
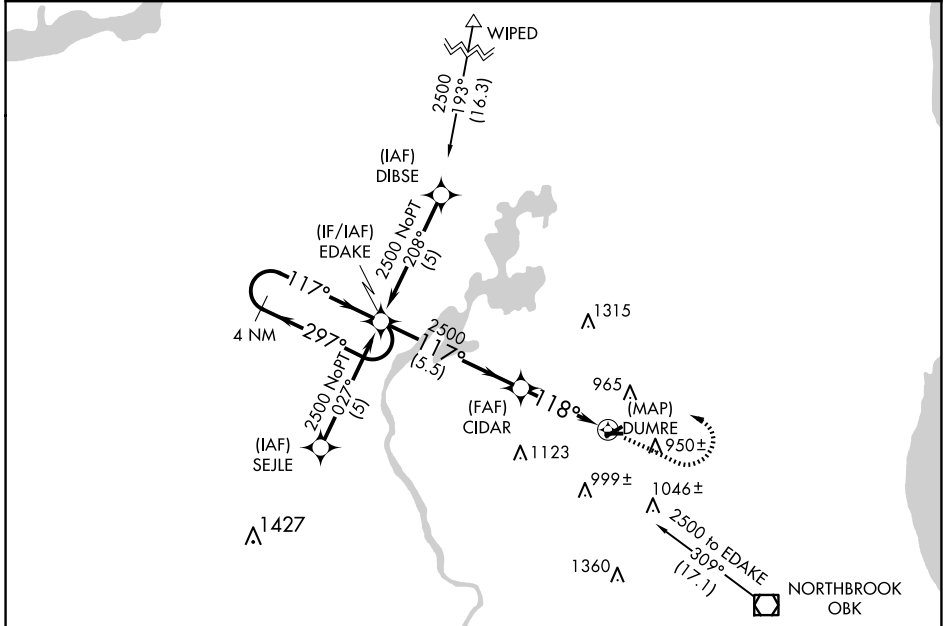


APP CRS	Rwy Idg	N/A
118°	TDZE	N/A
	Apt Elev	788

RNAV (GPS)-B

CAMPBELL (C81)

<p>▼ Use Chicago O'Hare altimeter setting. ▲ NA GPS or RNP-0.3 required. DME/DME RNP-0.3 NA.</p>	<p>MISSED APPROACH: Climb to 2000, then climbing left turn to 2500 direct EDAKE WP and hold.</p>
<p>CHICAGO APP CON 120.55 306.925</p>	<p>UNICOM 122.7 (CTAF)</p>



CATEGORY	A	B	C	D
CIRCLING	1400-1	612 (700-1)	1400-1¾ 612 (700-1¾)	NA

EC-3, 11 JUN 2026 to 09 JUL 2026

EC-3, 11 JUN 2026 to 09 JUL 2026