

LOC I-UNI 108.75	APP CRS 247°	Rwy Ldg TDZE 5600 765	Apt Elev 766
----------------------------	------------------------	---	------------------------

ILS or LOC RWY 25

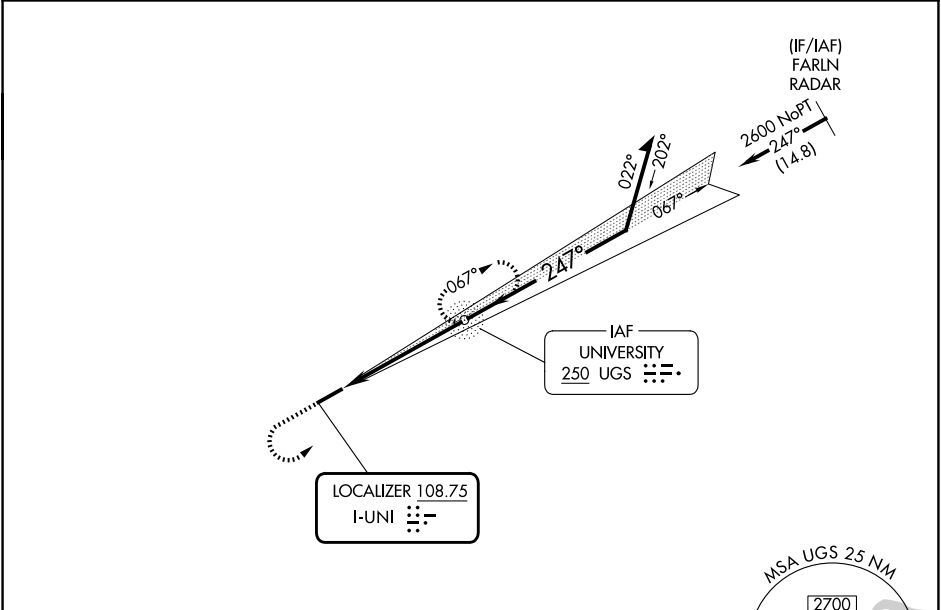
OHIO UNIVERSITY (UNI)

ADF required.
RADAR required for procedure entry at FARLN.

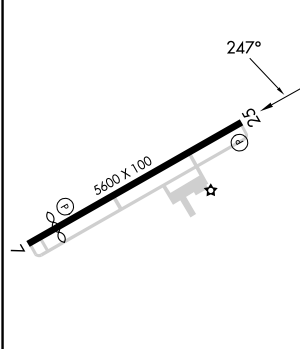
▼
▲ NA

MISSED APPROACH: Climb to 2600 then climbing left turn to 3000 direct UGS NDB and hold.

AWOS-3 128.325	HUNTINGTON APP CON 120.95 270.1	CLNC DEL 120.95	UNICOM 123.075 (CTAF) 0
--------------------------	---	---------------------------	-----------------------------------



ELEV 766	TDZE 765
----------	----------



MIRL Rwy 7-25 0
REIL Rwys 7 and 25 0

FAF to MAP 4.6 NM

Knots	60	90	120	150	180
Min:Sec	4:36	3:04	2:18	1:50	1:32

2600	3000	UGS	UGS NDB	Remain within 10 NM
↑	↖	⊙	067°	3000
ILS unusable inside DA.				
(CFTZM)	2424	247°	2600	GS 3.00° TCH 49
0.5	4.6 NM			

CATEGORY	A	B	C	D
S-ILS 25	974- ³ / ₄		209 (300- ³ / ₄)	
S-LOC 25	1420-1	655 (700-1)	1420-1 ⁷ / ₈	655 (700-1 ⁷ / ₈)
CIRCLING	1420-1	654 (700-1)	1420-1 ⁷ / ₈ 654 (700-1 ⁷ / ₈)	1520-2 ¹ / ₂ 754 (800-2 ¹ / ₂)

EC-2, 11 JUN 2026 to 09 JUL 2026

EC-2, 11 JUN 2026 to 09 JUL 2026