

LOC I-HSA 110.35	APP CRS 182°	Rwy Ldg TDZE Apt Elev	8498 23 23
----------------------------	------------------------	-----------------------------	---------------------------------------

ILS Y or LOC Y RWY 18

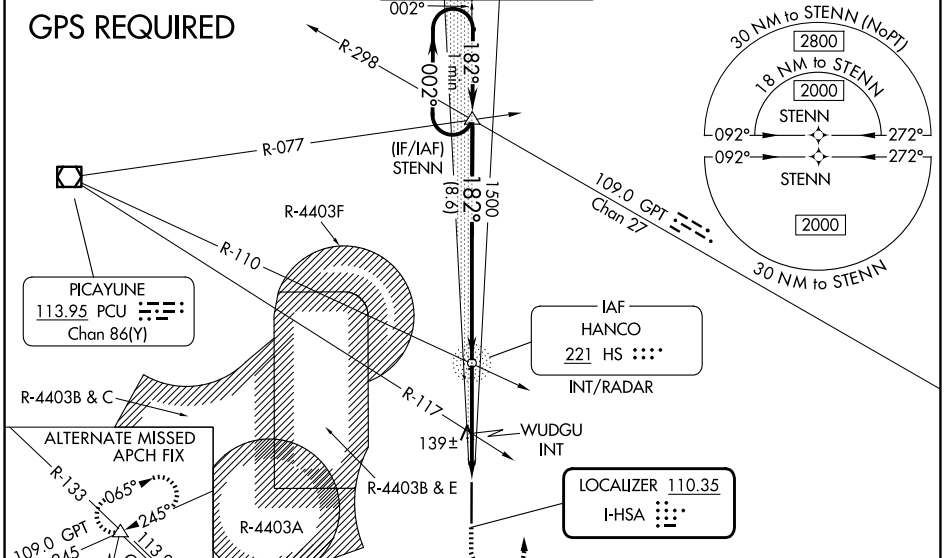
STENNIS INTL (HSA)

⚠ Circling NA for Cat E west of Rwy 18-36. When local altimeter setting not received, use Gulfport altimeter setting; increase DA to 270 feet; increase all MDA 60 feet and S-LOC 18 Cats C/D/E visibility 1/8 mile, Circling Cat C visibility 1/4 mile and Cats D/E visibility 1/4 mile. WUDGU fix minimums: increase S-LOC 18 Cats C/D/E visibility 1/8 mile, and Circling Cats D/E visibility 1/4 mile. For inop MALS, increase S-ILS 18 Cat E visibility to 1/4 mile, and S-LOC 18 Cats C/D/E visibility to 1 1/8 mile. WUDGU fix minimums: increase S-LOC 18 Cats C/D/E visibility to 1 mile. For inop MALS when using Gulfport altimeter setting, increase S-ILS 18 Cat E visibility to 1/4 mile and S-LOC 18 Cat E visibility to 1 1/8 mile. WUDGU fix minimums: increase S-LOC 18 Cat E visibility to 1/4 mile.

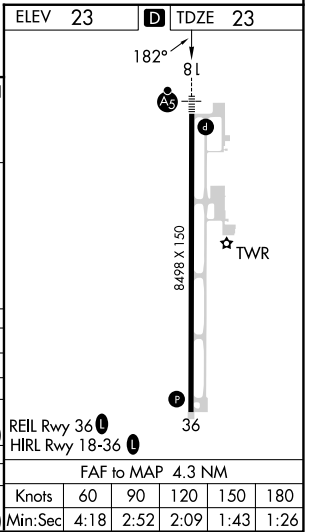
MALS
AG

MISSED APPROACH:
Climb to 700 then climbing left turn to 2000 on heading 360° and on GPT VORTAC R-298 to STENN and hold.

AWOS-3PT 118.375	GULFPORT APP CON* 124.6 354.1 (130°-309°) 127.5 254.25 (310°-129°)	STENNIS TOWER* 127.15 (CTAF) 229.4	GND CON 121.725 229.4	UNICOM 122.95
----------------------------	--	---	---------------------------------	-------------------------



One Minute Holding Pattern	STENN	HS NDB/INT RADAR	700	2000	STENN
			↑	hdg 360°	GPT R-298
2000 ← 002°	182° →	1460	WUDGU INT	*LOC only.	
GS 3.00° TCH 56		1500		*580 when using Gulfport altimeter setting.	
	8.6 NM	2.5 NM	1.8 NM		
CATEGORY	A	B	C	D	E
S-ILS 18	223-1/2 200 (200-1/2)				
S-LOC 18	520-1/2	497 (500-1/2)	520-1 497 (500-1)		
CIRCLING	520-1	497 (500-1)	520-1 1/2	820-2 1/2	820-2 3/4
			497 (500-1 1/2)	797 (800-2 1/2)	797 (800-2 3/4)
WUDGU FIX MINIMUMS (DUAL VOR RECEIVERS REQUIRED)					
S-LOC 18	400-1/2	377 (400-1/2)	400-5/8 377 (400-5/8)		
CIRCLING	480-1	457 (500-1)	520-1 1/2	820-2 1/2	820-2 3/4
			497 (500-1 1/2)	797 (800-2 1/2)	797 (800-2 3/4)



SC-4, 11 JUN 2026 to 09 JUL 2026

SC-4, 11 JUN 2026 to 09 JUL 2026