

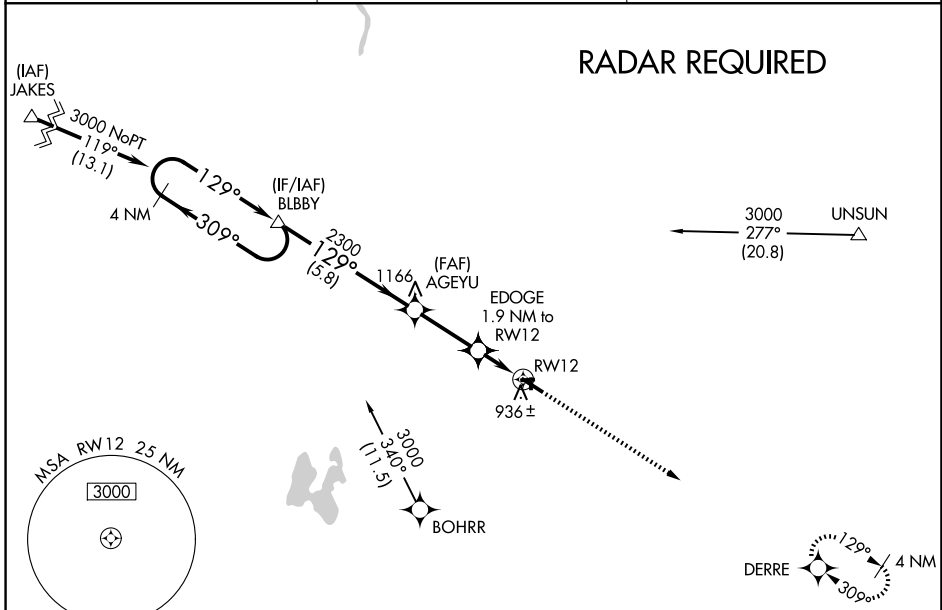
WAAS CH <b>53326</b> <b>W12A</b>	APP CRS <b>129°</b>	Rwy Ldg TDZE Apt Elev	<b>4762</b> <b>800</b> <b>800</b>
--	------------------------	-----------------------------	---

# RNAV (GPS) RWY 12

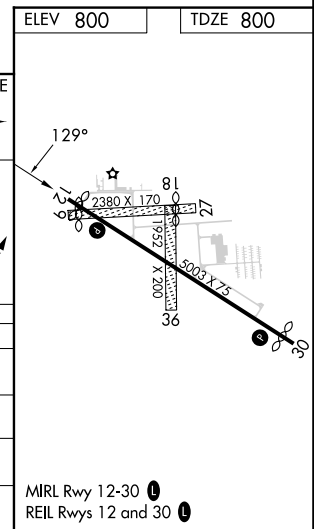
HASTINGS (9D9)

RNP APCH - GPS.		MISSED APPROACH: Climb to 3000 direct DERRE and hold.
⚠ NA Circling NA to Rwy 9, 18, 27 and 36. Baro-VNAV NA. Use GRR altimeter setting; when not received, use Y70 altimeter setting; increase LPV DA to 1102 feet; increase LNAV/VNAV DA to 1260 feet and all visibilities 1/8 SM; increase all MDA 20 feet, and LNAV visibility Cat C 1/8 SM. Rwy 12 helicopter visibility reduction below 3/4 SM NA.		

GRR ASOS <b>118.725</b>	GREAT LAKES APP CON * <b>128.4 257.6</b>	UNICOM <b>123.075 (CTAF) 0</b>
----------------------------	---	-----------------------------------



4 NM Holding Pattern		VGSI and RNAV glidepath not coincident (VGSI Angle 4.00/TCH 34).		3000 DERRE	
GP 3.00° TCH 40		BLBKY 3000 309° 129°	AGEYU 2300 129°	EDOGE 1.9 NM to RWY 12 1440	RWY 12 936 ±
5.8 NM		2.7 NM		1.9 NM	
CATEGORY	A	B	C	D	
LPV DA	1087-1 287 (300-1)			NA	
LNAV/VNAV DA	1245-1 3/8 445 (500-1 3/8)			NA	
LNAV MDA	1240-1	440 (500-1)	1240-1 1/4 440 (500-1 1/4)	NA	
CIRCLING	1380-1 580 (600-1)	1440-1 640 (700-1)	1440-1 3/4 640 (700-1 3/4)	NA	



EC-1, 11 JUN 2026 to 09 JUL 2026

EC-1, 11 JUN 2026 to 09 JUL 2026