

LOC I-MEB 110.7	APP CRS 054°	Rwy Ldg TDZE Apt Elev	6503 216 216
---------------------------	------------------------	-----------------------------	---

ILS or LOC RWY 5

LAURINBURG/MAXTON (MEB)

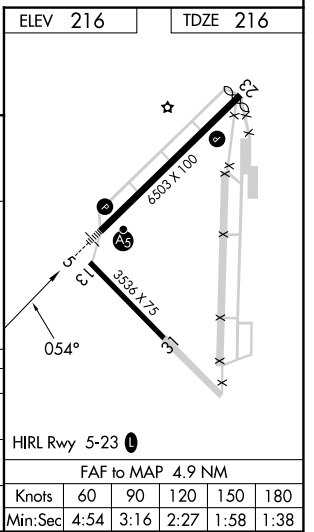
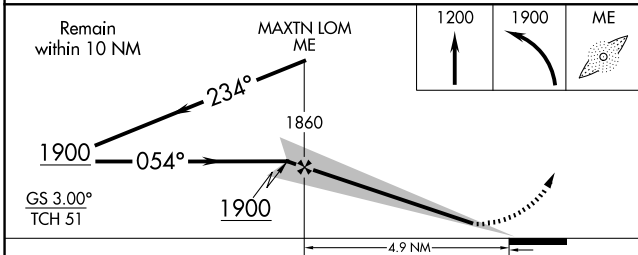
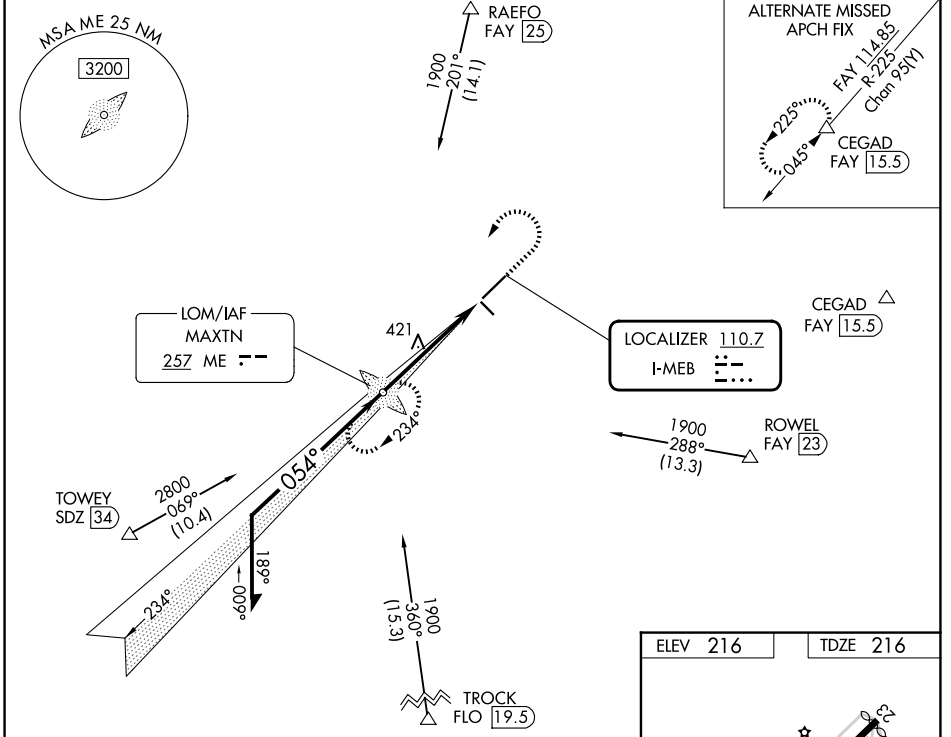
ADF required for procedure entry.
ADF required.

MALSR

MISSED APPROACH: Climb to 1200 then climbing left turn to 1900 direct MAXTN LOM and hold.

⚠ Circling Rwy 13 and 31 NA at night. For inop ALS, increase S-LOC 5 Cat C/D visibility to 1½ SM.

ASOS 134.125	FAYETTEVILLE APP CON 127.8 343.725	UNICOM 122.8 (CTAF) 0
------------------------	--	---------------------------------



CATEGORY	A	B	C	D
S-ILS 5	416-½		200 (200-½)	
S-LOC 5	680-½	464 (500-½)	680-1	464 (500-1)
CIRCLING	740-1	524 (600-1)	780-1½ 564 (600-1½)	1020-2½ 804 (900-2½)

SE-2, 11 JUN 2026 to 09 JUL 2026

SE-2, 11 JUN 2026 to 09 JUL 2026