

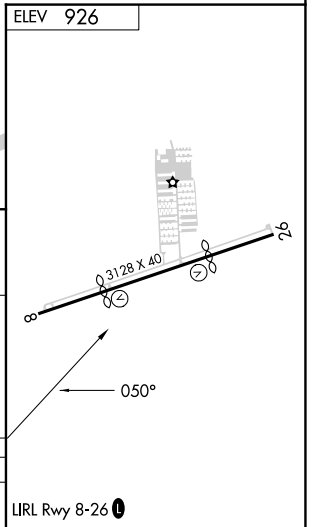
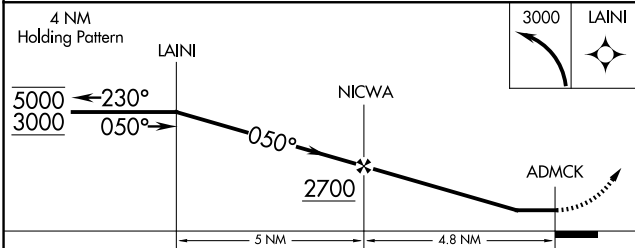
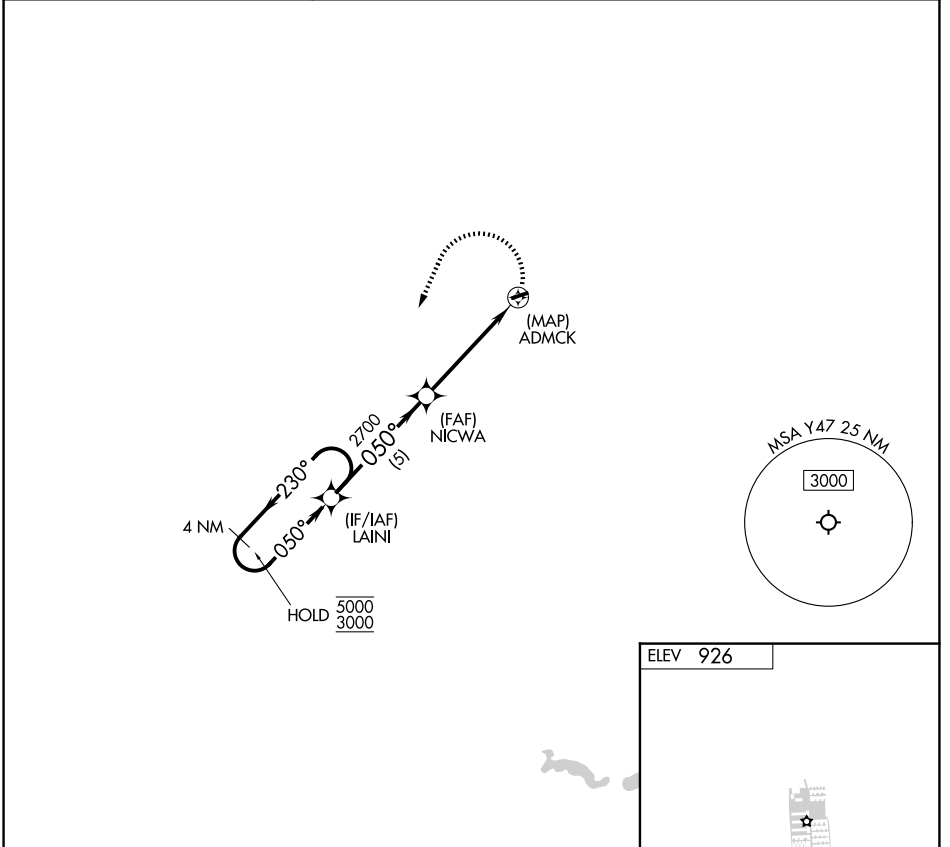
APP CRS	Rwy Ldg	N/A
050°	TDZE	N/A
	Apt Elev	926

RNAV (GPS)-A

OAKLAND SOUTHWEST (Y47)

RNP APCH - GPS.	MISSED APPROACH: Climbing left turn to 3000 direct LAINI and hold.
<p>▼ Procedure NA at night. Rwy 8 and 26 helicopter visibility reduction below 1 SM NA. Use Detroit Willow Run altimeter setting.</p> <p>▲ NA</p>	

YIP ASOS 127.425	DETROIT APP CON 132.35 284.0	UNICOM 122.7 (CTAF) 0
----------------------------	--	---------------------------------



CATEGORY	A	B	C	D
CIRCLING	1540-1 614 (700-1)	1580-1 654 (700-1)	NA	

LIRL Rwy 8-26 0

EC-1, 11 JUN 2026 to 09 JUL 2026

EC-1, 11 JUN 2026 to 09 JUL 2026