

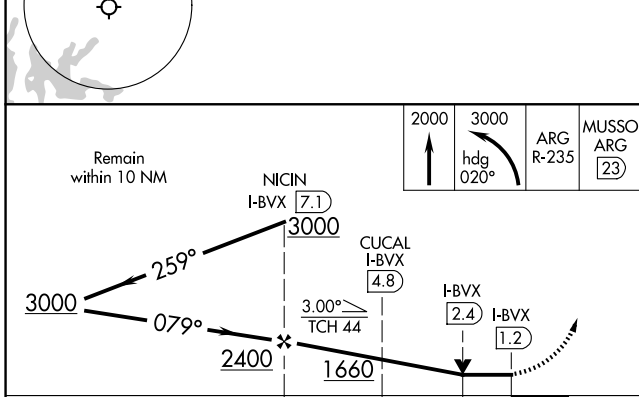
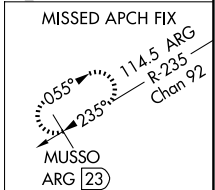
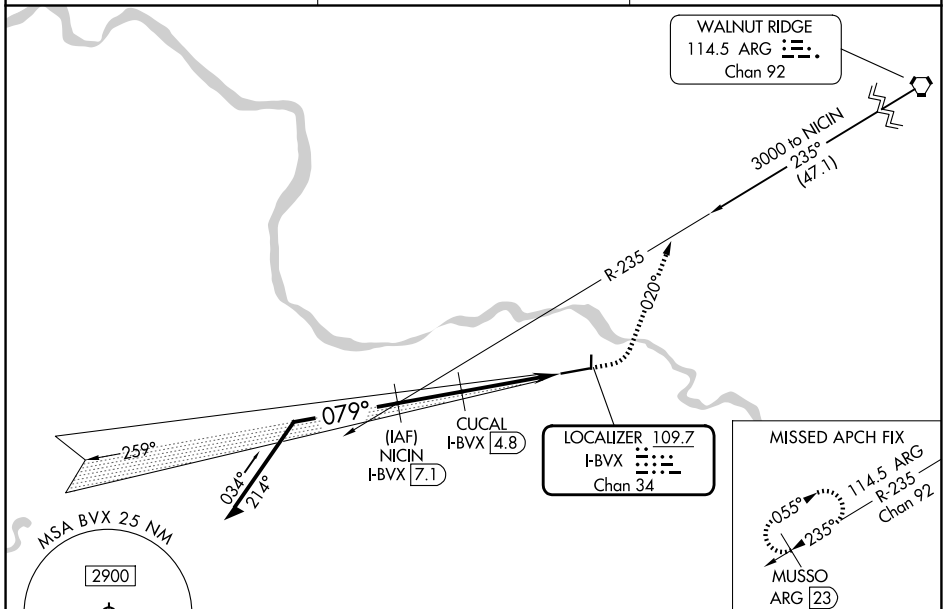
LOC/DME I-BVX 109.7 Chan 34	APP CRS 079°	Rwy Ldg TDZE Apt Elev	6002 463 465
---	------------------------	-----------------------------	---

LOC RWY 8

BATESVILLE RGNL (BVX)

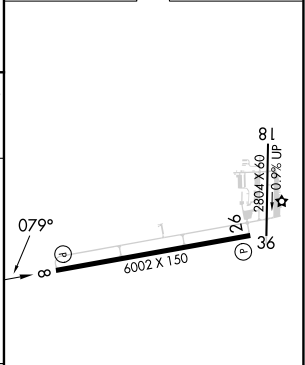
DME required.	MISSED APPROACH: Climb to 2000 then climbing left turn to 3000 on heading 020° and on ARG VORTAC R-235 to MUSSO/ARG 23 DME and hold.
<p>▼ Circling NA north of Rwy 8-26. Circling Rwy 36 NA at night. Circling NA to Rwy 18.</p> <p>▲ NA</p>	

AWOS-3PT 126.375	MEMPHIS CENTER 126.85 281.55	UNICOM 122.8 (CTAF) 0
----------------------------	--	---------------------------------



ELEV 465	TDZE 463
----------	----------

CATEGORY	A	B	C	D
S-8	880-1	417 (500-1)	880-1 1/8	417 (500-1 1/8)
CIRCLING	980-1 515 (600-1)	1000-1 535 (600-1)	1220-2 1/4 755 (800-2 1/4)	1440-3 975 (1000-3)



REIL Rwy 8 and 26	MIRL Rwy 8-26	FAF to MAP 6 NM			
Knots	60	90	120	150	180
Min:Sec	6:00	4:00	3:00	2:24	2:00

SC-1, 11 JUN 2026 to 09 JUL 2026

SC-1, 11 JUN 2026 to 09 JUL 2026