

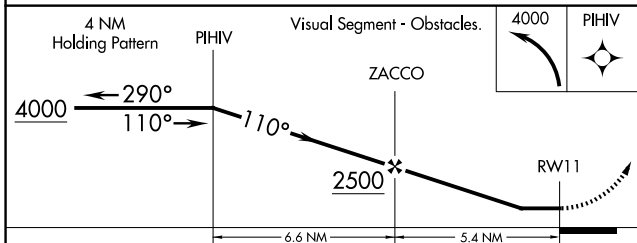
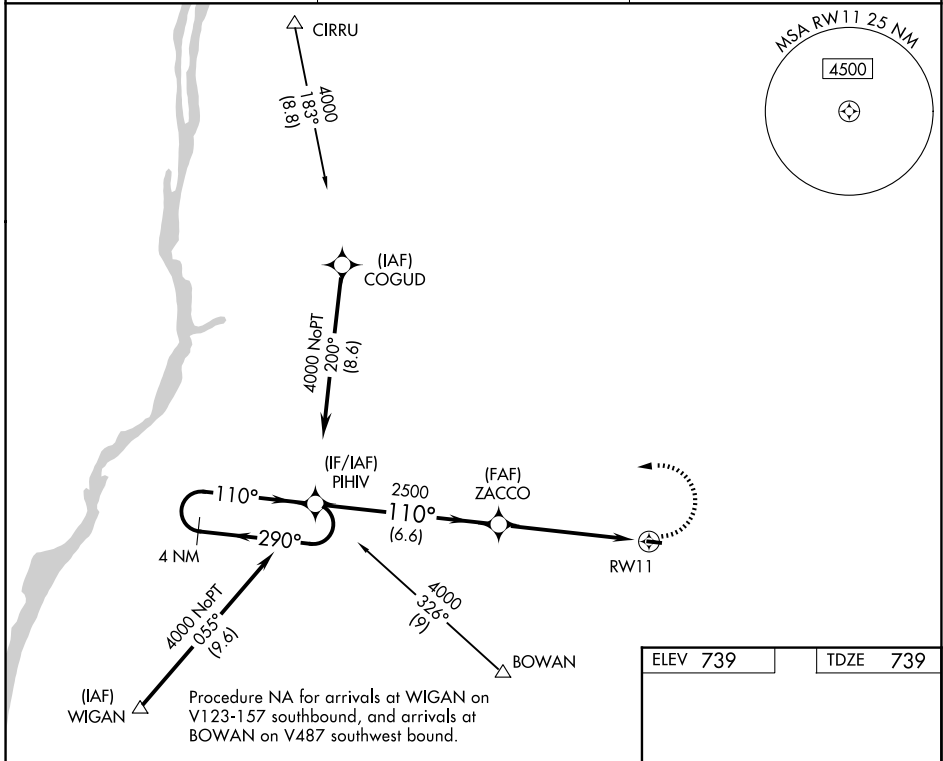
WAAS CH <b>58123</b> <b>W11A</b>	APP CRS <b>110°</b>	Rwy Ldg TDZE Apt Elev	<b>2409</b> <b>739</b> <b>739</b>
--	------------------------	-----------------------------	---

# RNAV (GPS) RWY 11

GREAT BARRINGTON (GBR)

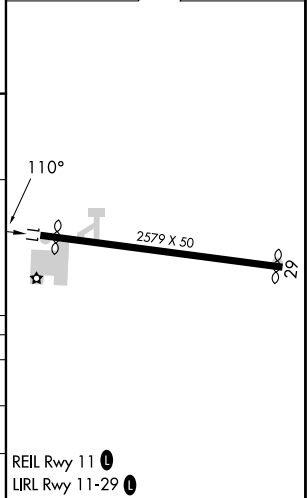
<p><b>NA</b></p> <p>Obtain local altimeter setting on CTAF; when not received, use Pittsfield altimeter setting and increase all MDA 100 feet. DME/DME RNP-0.3 NA. Procedure NA at night. Helicopter visibility reduction below 1 SM NA.</p>	<p><b>MISSED APPROACH:</b> Climbing left turn to 4000 direct PIHIV and hold.</p>
--	--

ALBANY APP CON <b>132.825 307.2</b>	UNICOM <b>122.8 (CTAF)</b>	<b>121.6</b>
--	-------------------------------	--------------



ELEV 739	TDZE 739
----------	----------

CATEGORY	A	B	C	D
LP MDA	1840-1¼ 1101 (1200-1¼)	1840-1½ 1101 (1200-1½)		NA
LNAV MDA	1840-1¼ 1101 (1200-1¼)	1840-1½ 1101 (1200-1½)		NA
CIRCLING	1840-1¼ 1101 (1200-1¼)	1840-1½ 1101 (1200-1½)		NA



NE-1, 11 JUN 2026 to 09 JUL 2026

NE-1, 11 JUN 2026 to 09 JUL 2026