

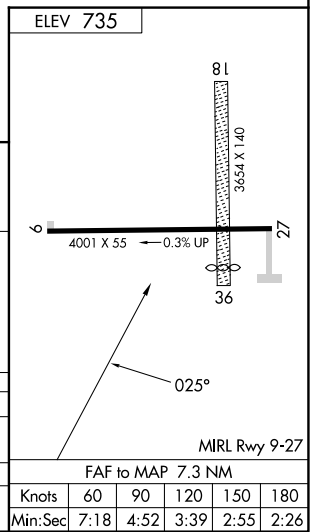
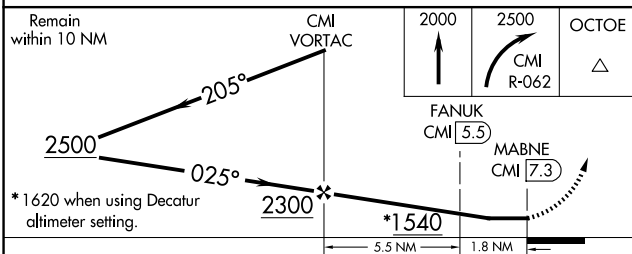
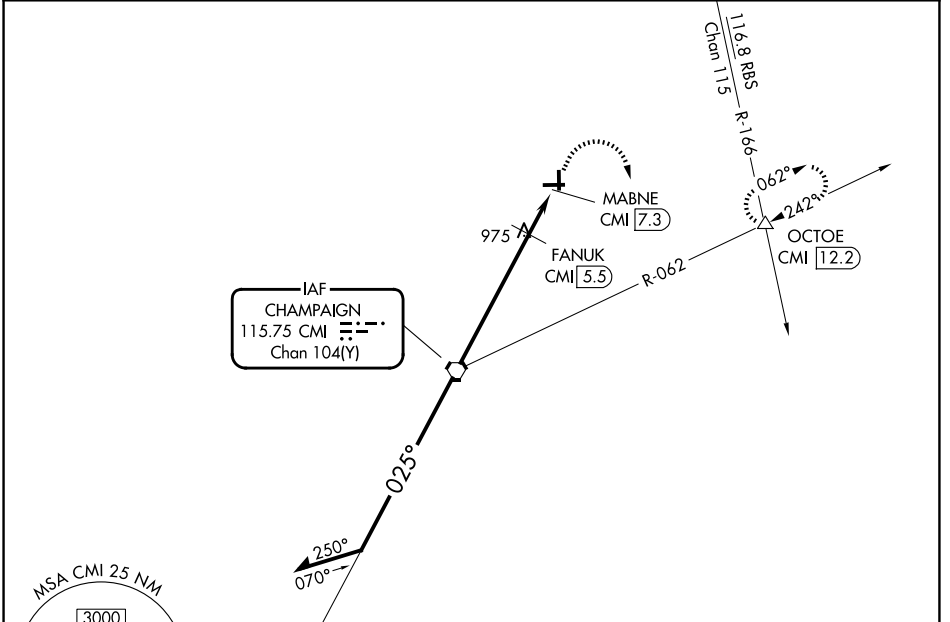
VORTAC CMI 115.75 Chan 104 (Y)	APP CRS 025°	Rwy Ldg TDZE Apt Elev	N/A N/A 735
--	------------------------	-----------------------------	--

VOR-A
FRASCA FLD (C16)

▲ NA Circling NA to Rwy's 18 and 36. Procedure NA at night. Use University of Illinois/Willard altimeter setting; when not received, use Decatur altimeter setting; increase all MDAs 80 feet and visibility Cats A and B ¼ SM, Cat C ½ SM and Cat D ¾ SM; increase FANUK fix minimum visibility Cats C and D ¼ SM.

MISSED APPROACH: Climb to 2000 then climbing right turn to 2500 on CMI VORTAC R-062 to OCTOE INT and hold.

CMI ASOS 124.85	CHAMPAIGN APP CON ★ 121.35 285.65	UNICOM 122.8 (CTAF)
---------------------------	---	-------------------------------



CATEGORY	A	B	C	D
CIRCLING	1540-1	805 (900-1)	1540-2¼ 805 (900-2¼)	1560-2¾ 825 (900-2¾)
FANUK FIX MINIMUMS				
CIRCLING	1300-1	565 (600-1)	1420-2 685 (700-2)	1560-2¾ 825 (900-2¾)

FAF to MAP 7.3 NM		60	90	120	150	180
Knots		60	90	120	150	180
Min:Sec		7:18	4:52	3:39	2:55	2:26

EC-3, 11 JUN 2026 to 09 JUL 2026

EC-3, 11 JUN 2026 to 09 JUL 2026