

RNAV (GPS)-A

OKTIBBEHA (M51)

| | | |
|---------|----------|-----|
| APP CRS | Rwy Ldg | N/A |
| 140° | TDZE | N/A |
| | Apt Elev | 250 |

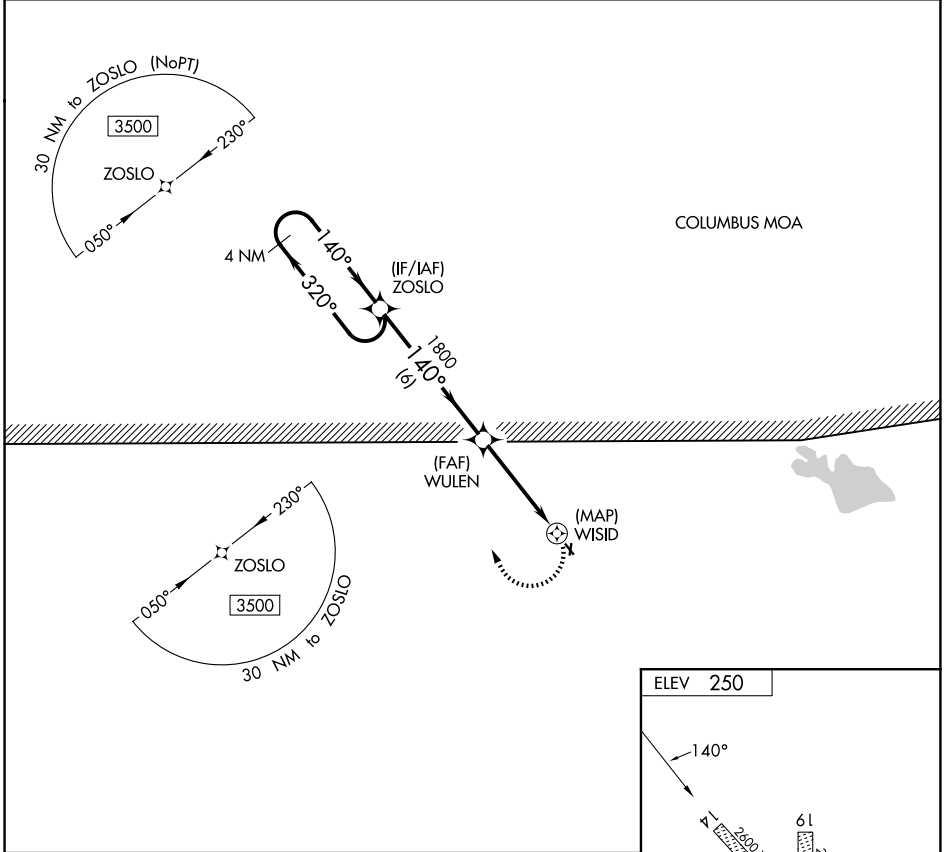
▽ DME/DME RNP-0.3 NA. Procedure NA at night. Use Golden Triangle Rgnl altimeter setting; when not received, use George M Bryan altimeter setting and increase all MDA 20 feet.

△ NA MISSED APPROACH: Climbing right turn 3500 direct ZOSLO and hold.

GTR AWOS-3PT
126.375

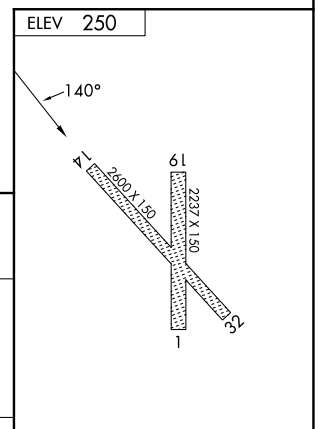
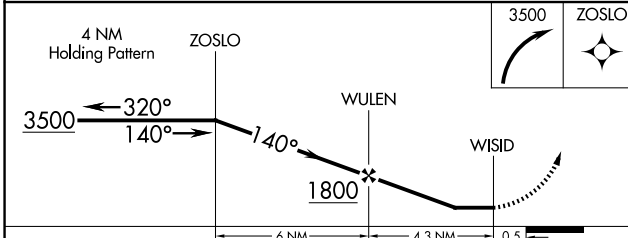
COLUMBUS APP CON ★
135.6 323.275

UNICOM
122.8 (CTAF)



SC-4, 11 JUN 2026 to 09 JUL 2026

SC-4, 11 JUN 2026 to 09 JUL 2026



| | | | | |
|----------|----------------------|----------------------|----|---|
| CATEGORY | A | B | C | D |
| CIRCLING | 760-1 510 (600-1) | 840-1 590 (600-1) | NA | |