

LOC I-PTW 108.3	APP CRS 276°	Rwy Ldg TDZE Apt Elev	3181 308 308
---------------------------	------------------------	-----------------------------	---

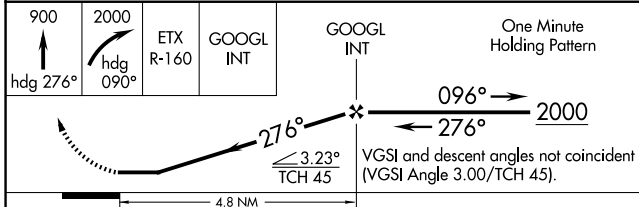
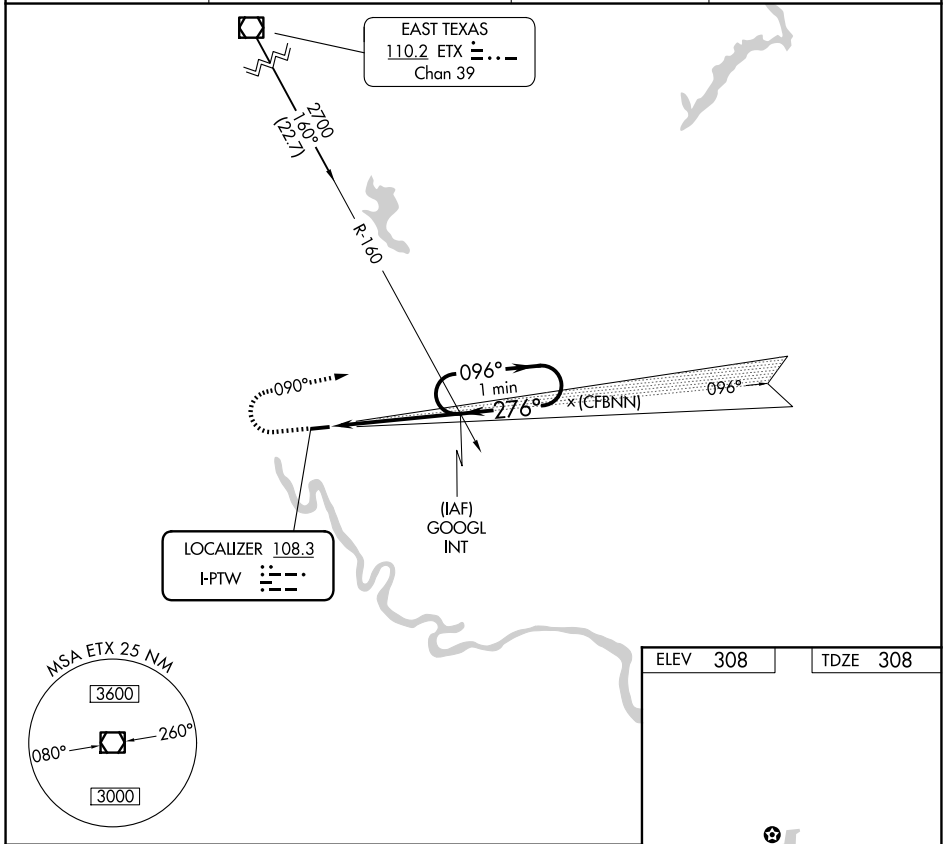
LOC RWY 28

HERITAGE FLD (PTW)

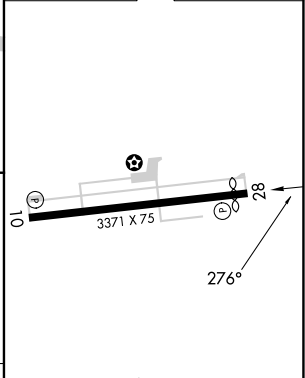
⚠ Circling NA south of Rwy 10-28. When local altimeter setting not received, use Wings Fld altimeter setting and increase all MDA 40 feet. Rwy 28 helicopter visibility reduction below $\frac{3}{4}$ SM NA.

⚠ MISSED APPROACH: Climb to 900 on heading 276° then climbing right turn to 2000 on heading 090° and ETX VOR/DME R-160 to GOOGL Int and hold.

ASOS 119.425	PHILADELPHIA APP CON 126.85 263.125	CLNC DEL 118.55	UNICOM 122.7 (CTAF) 0
------------------------	---	---------------------------	---------------------------------



ELEV 308	TDZE 308
----------	----------



CATEGORY	A	B	C	D
S-28	820-1 512 (600-1)		NA	
CIRCLING	940-1 632 (700-1)		NA	

MIRL Rwy 10-28 0

REIL Rws 10 and 28

FAF to MAP 4.8 NM

Knots	60	90	120	150	180
Min:Sec	4:48	3:12	2:24	1:55	1:36

NE-4, 11 JUN 2026 to 09 JUL 2026

NE-4, 11 JUN 2026 to 09 JUL 2026